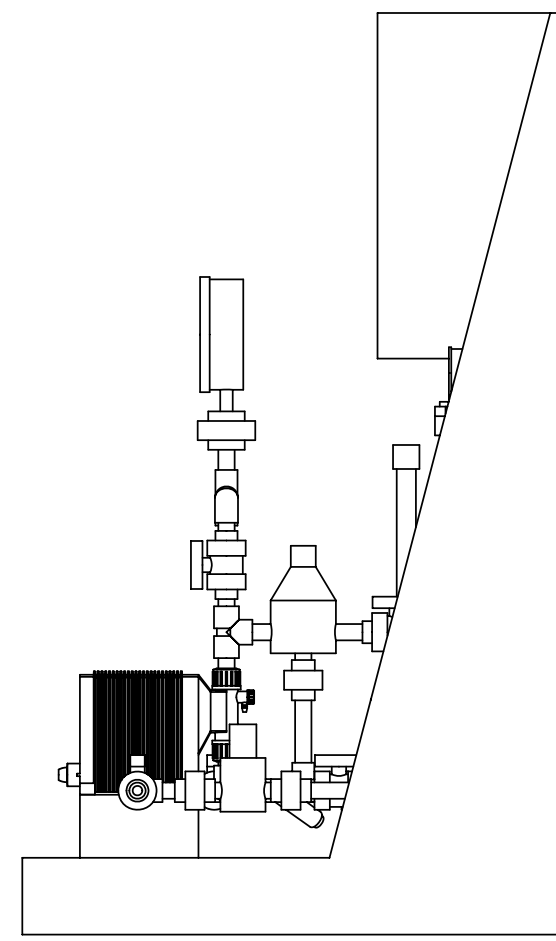
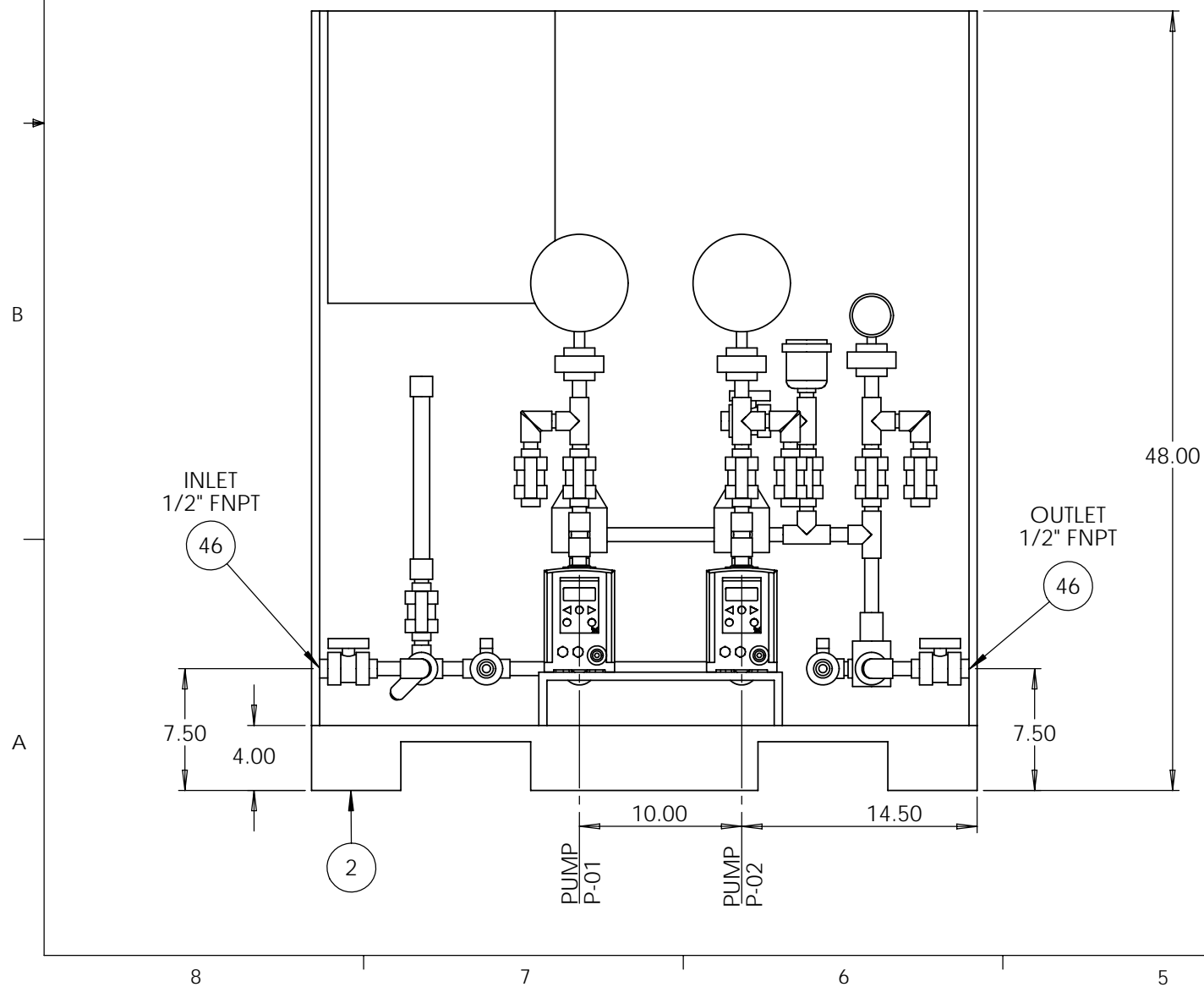


ITEM NO.	QTY.	DESCRIPTION
2	1	BASE: PVC, 41" x 28" x 48" WITH DRIP RIM
3	1	CALIBRATION COLUMN: 100ML, PVC, 1" FNPT WITH SLIP-ON CAP
4	1	CONTROL BOX: HOFFMAN ENCLOSURE 18" X 14" X 9", NEMA 4X, FRP
37	1	PRESSURE GAUGE: 0-160 PSIG, 2 1/2" DIAL WITH CPVC/PTFE DIAPHRAGM SEAL
38	2	PRESSURE SWITCH: 1/4" NPT, SERIES DA-DS-7000 BOURDON TUBE
39	1	PULSATION DAMPENER: 1/2" FNPT, 4 CU. IN. PVDF/VITON
40	2	PUMP: GRUNDFOS DME 8-10, 1.98 GPH, 145 PSIG MAX
41	2	CPVC/PTFE DIAPHRAGM SEAL
45	1	VALVE: BACK PRESSURE, 1/2", TH, CPVC/PTFE
46	17	VALVE: BALL, 1/2", TU, CPVC/VITON
47	2	VALVE: PRESSURE RELIEF, 1/2", TH, CPVC/PTFE
48	1	Y-STRAINER, 1/2", TH, CPVC/VITON

- Notes:  
 1. Dry Weight: 250 lbs, Wet Weight: 275 lbs  
 2. All fittings and piping are CPVC SCH. 80  
 3. System hydrostatically tested to ASME B31.



### CHEM - FLOW, Inc.

1450 W. Fullerton  
 Addison, IL. 60101

PHONE #: 630-543-1911 FAX #: 630-543-2089

www.ChemFlow.com

THE INFORMATION CONTAINED IN THIS DRAWING IS THE SOLE PROPERTY OF CHEM-FLOW INC. ANY REPRODUCTION IN PART OR AS A WHOLE WITHOUT THE WRITTEN PERMISSION OF CHEM-FLOW INC IS PROHIBITED.

	NAME	DATE
DRAWN	RS	4/3/2007
CHECKED	JM	4/3/2007
ENG APPR.	DG	4/3/2007
MFG APPR.	---	4/3/2007

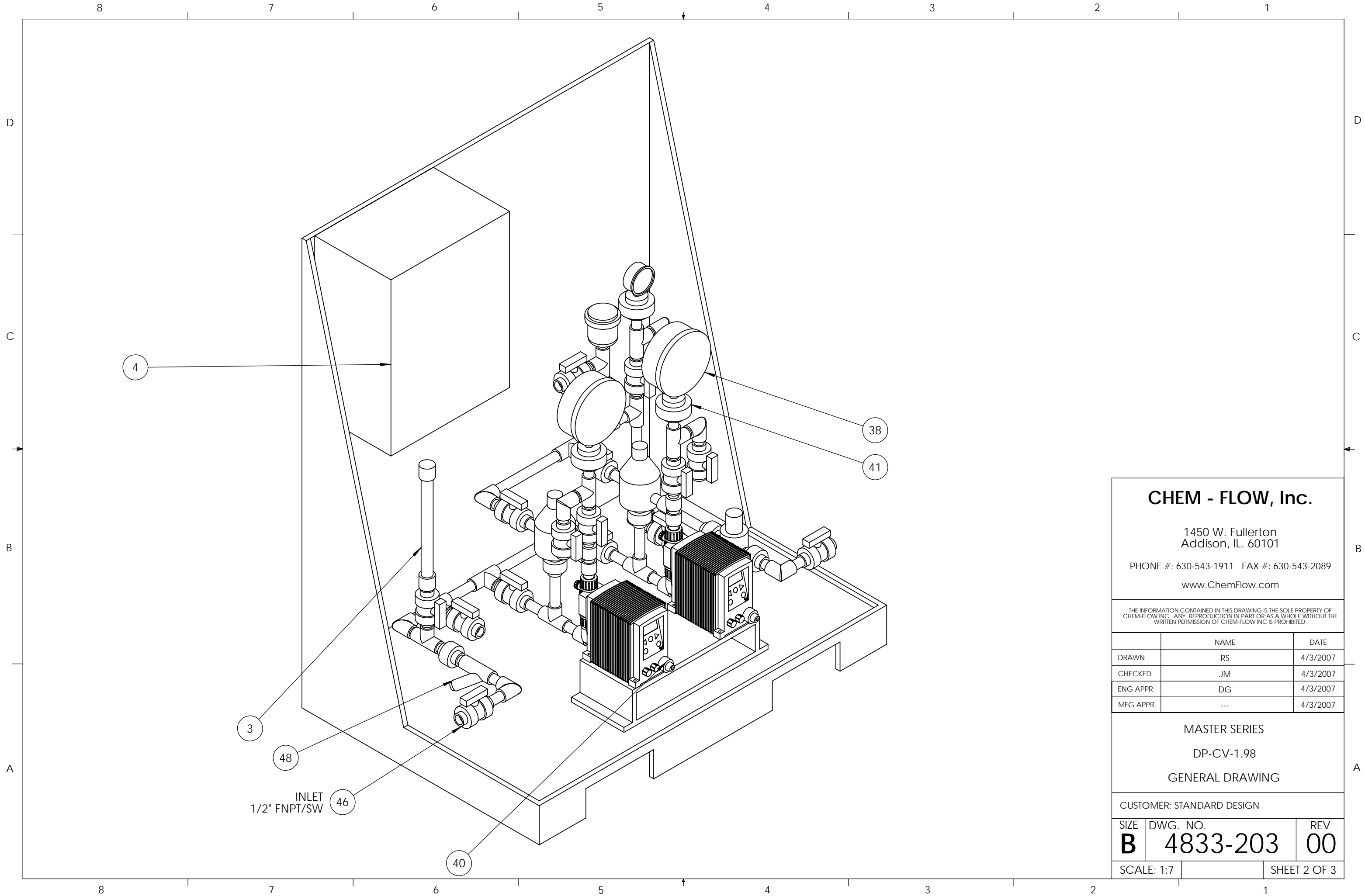
MASTER SERIES  
 DP-CV-1.98  
 GENERAL DRAWING

CUSTOMER: STANDARD DESIGN

SIZE	DWG. NO.	REV
<b>B</b>	<b>4833-203</b>	<b>00</b>

SCALE: 1:10

SHEET 1 OF 3



**CHEM - FLOW, Inc.**

1450 W. Fullerton  
Addison, IL. 60101

PHONE #: 630-543-1911 FAX #: 630-543-2089

www.ChemFlow.com

THE INFORMATION CONTAINED IN THIS DRAWING IS THE SOLE PROPERTY OF CHEM-FLOW INC. ANY REPRODUCTION IN PART OR AS A WHOLE WITHOUT THE WRITTEN PERMISSION OF CHEM-FLOW INC IS PROHIBITED.

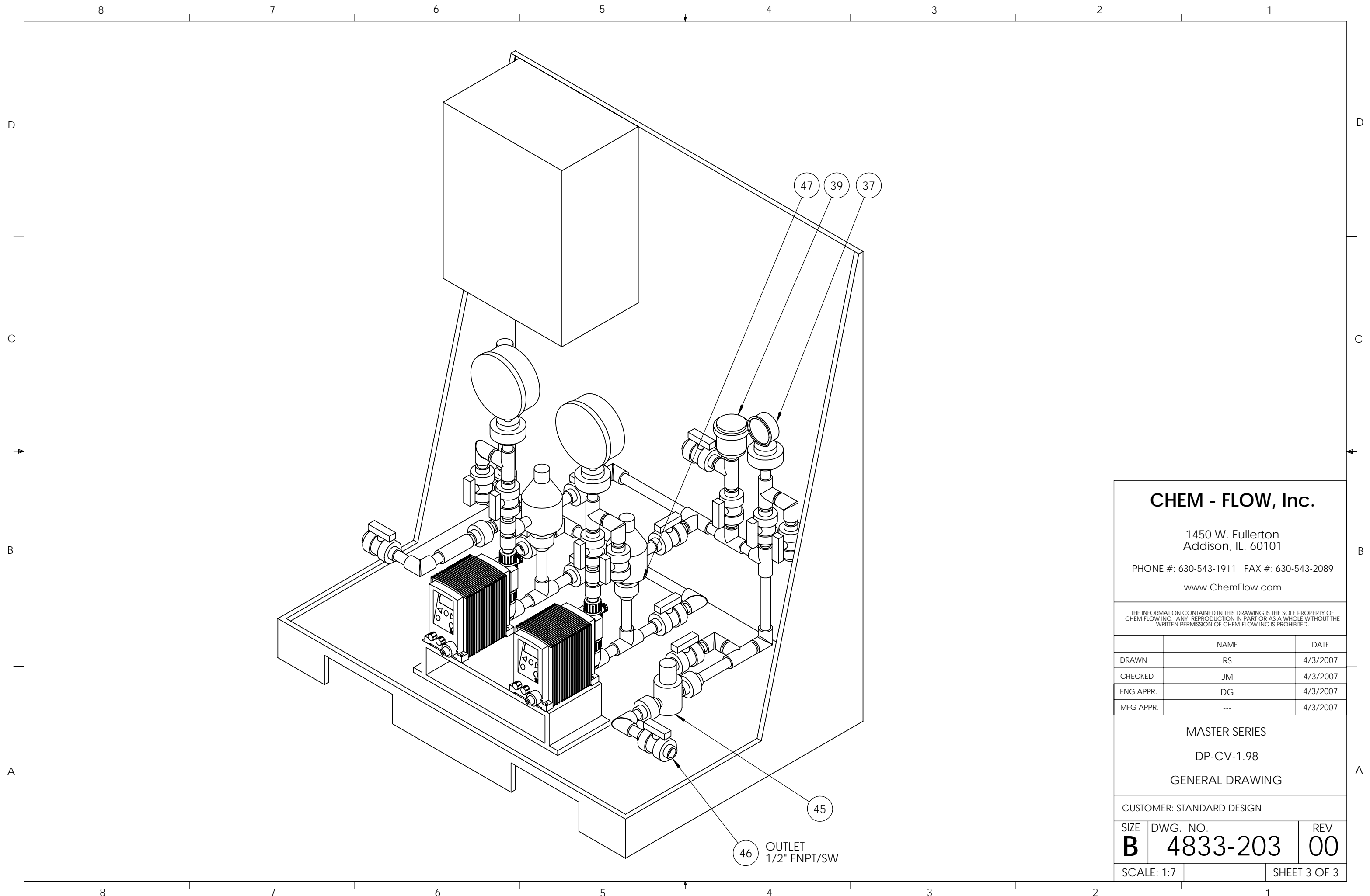
	NAME	DATE
DRAWN	RS	4/3/2007
CHECKED	JM	4/3/2007
ENG APPR.	DG	4/3/2007
MFG APPR.	---	4/3/2007

MASTER SERIES  
DP-CV-1.98  
GENERAL DRAWING

CUSTOMER: STANDARD DESIGN

SIZE	DWG. NO.	REV
<b>B</b>	<b>4833-203</b>	<b>00</b>

SCALE: 1:7 SHEET 2 OF 3



**CHEM - FLOW, Inc.**

1450 W. Fullerton  
Addison, IL. 60101

PHONE #: 630-543-1911 FAX #: 630-543-2089

www.ChemFlow.com

THE INFORMATION CONTAINED IN THIS DRAWING IS THE SOLE PROPERTY OF CHEM-FLOW INC. ANY REPRODUCTION IN PART OR AS A WHOLE WITHOUT THE WRITTEN PERMISSION OF CHEM-FLOW INC IS PROHIBITED.

	NAME	DATE
DRAWN	RS	4/3/2007
CHECKED	JM	4/3/2007
ENG APPR.	DG	4/3/2007
MFG APPR.	---	4/3/2007

MASTER SERIES  
DP-CV-1.98  
GENERAL DRAWING

CUSTOMER: STANDARD DESIGN

SIZE	DWG. NO.	REV
<b>B</b>	<b>4833-203</b>	<b>00</b>

SCALE: 1:7 SHEET 3 OF 3

46 OUTLET  
1/2" FNPT/SW