

# Simple Pump Skids

## CFS Series

### OUR STRENGTHS

Chemical Dosing  
Integrated Controls  
System Design  
Rapid Turnarounds  
Application Knowledge  
Quality Engineering  
Nimble Flexibility  
"One Stop Shop" Freedom  
Customer Service  
Field Service

### WE DELIVER

Custom Engineered Systems  
Standard Systems  
Metering Pumps  
Controls  
Instrumentation  
Accessories

### MARKETS SERVED

Municipal  
Industrial  
Commercial

### APPLICATIONS

Cooling  
Boiler  
Process  
Potable  
Waste Water

1450 W. Fullerton Avenue  
Addison, Illinois 60101  
Phone: 630.750.9473  
Fax : 630.543.2089  
www.chemflow.com



CFS Dual Skid 200

- Dual Pump Configuration
- Designed for ANY Solenoid Metering Pumps— You Choose!
- Pre-Plumbed , All piping & fittings CPVC
- Ready to Install, No Assembly Required
- Convenient and Economical
- Reduces Hassle & Labor
- Expandable Choices and Sophistication
- Rapid Delivery

The CFS Series of pump skids offer maximum flexibility and economy.

These systems offer a convenient package for either single or dual pump applications and are ideal for a wide range of water treatment applications.

The CF Series systems permit the user to acquire these pre-plumbed systems and add the pumps on-site or select the desired brand of metering pump/s to be installed and tested prior to delivery.

The Basic CFS Series Skids include:

- Calibration Assembly
- Discharge Pressure Gauge
- On-Board Power Receptacle
- NPT Inlet / Outlet Connections
- Pump Pedestals
- Inlet Y Strainer

The system components and design can be expanded to add functionality.

The upgraded CFS Dual Skid 200 offers the same flexibility of choice but adds a back pressure valve to help ensure pump accuracy and an added NEMA 4X control panel for control wiring and main power.

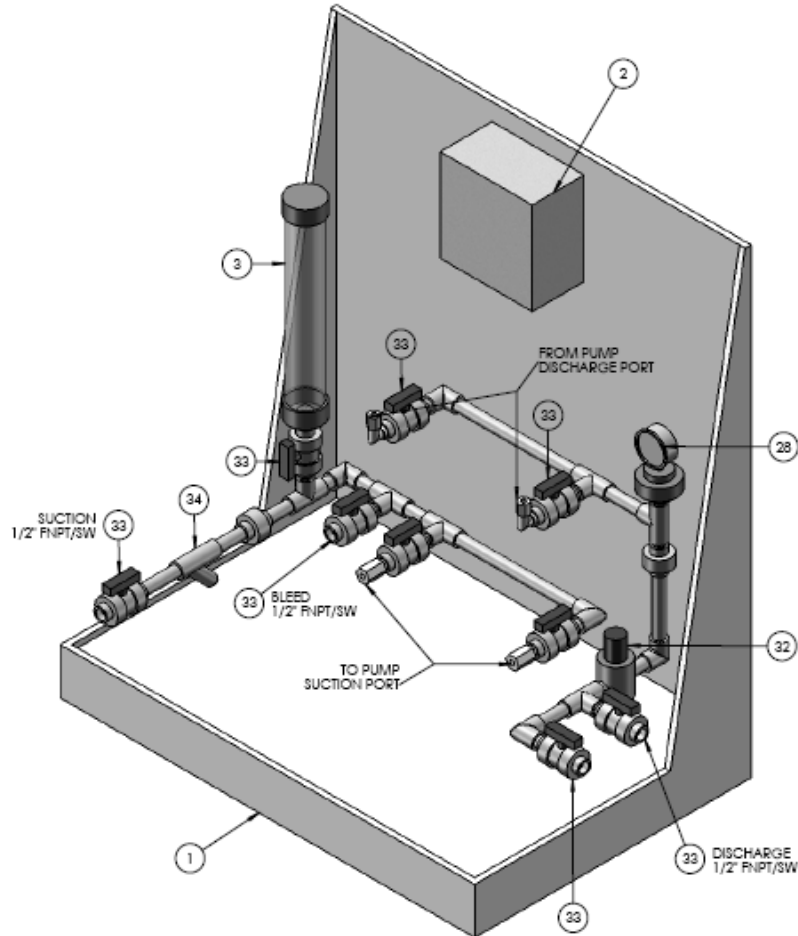
The control panel provides dual Hand Off Auto switches that allow the pumps to be run manually or automatically from a remote signal.

Options for the 200 Series include feed verification, automatic switchover and the addition of an on-board controller such as pH, ORP or timer packages.

Give us a call to build up the right system at the right price and get it right away!



# Simple Pump Skids — CFS Series



Item #	Quantity	Description
1	1	BASE: PP WHITE, 36" x 24" x 40" WITH 1/2" DRIP RIM
2	1	BOX: HOFFMAN ENCLOSURE 8" X 8" X 4", NEMA 4X
3	1	CALIBRATION COLUMN WITH SLIP-ON CAP
28	1	PRESSURE GAUGE: 0-160 PSIG, 2 1/2" DIAL WITH GK00T-5 PVDF/TEFLON DIAPHRAGM
32	1	VALVE: BACK PRESSURE, 1/2", SW, CPVC / VITON
33	9	VALVE: BALL, 1/2", TU, CPVC/VITON
34	1	Y-STRAINER, 1/2", SW, CPVC/VITON

- Dry Weight: 250 lbs, Wet Weight: 250 lbs
- All Fittings and piping are CPVC SCH. 80
- System Hydrostatically tested to ASME B31.

